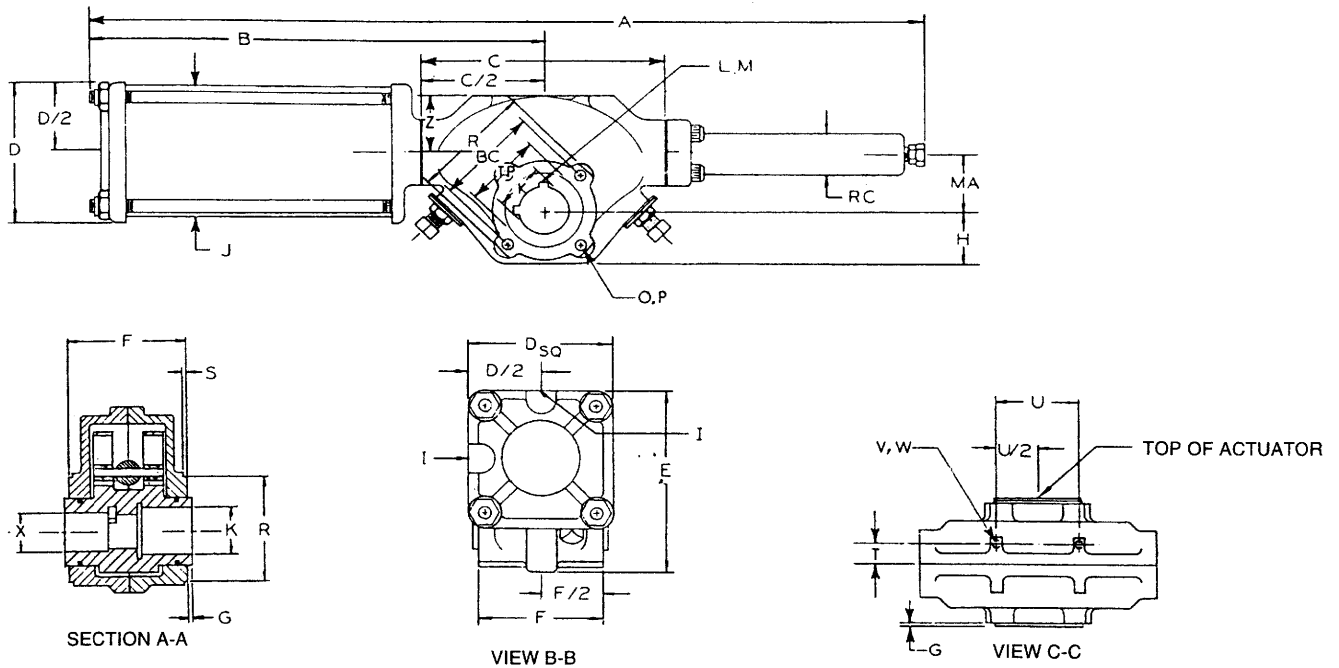


1 Cylinder Double Acting Actuator FIGURE 5

Dimensions (Inches)



DA MODEL NUMBERS

DIMENSIONS (In Inches)

KEY		33121	45121	33102	45102	45171	60171	45211	80171	60211	80211
A		47.75	60.63	51.75	65.69	62.13	72.50	62.38	93.25	72.75	93.50
B		26.06	33.00	25.88	32.88	34.50	39.38	34.75	48.00	39.56	48.25
BC		5.75	8.25	5.75	8.25	8.25	11.38	8.25	12.50	11.38	12.50
C		13.75	19.25	13.75	19.25	19.25	22.00	19.25	29.00	22.00	29.00
D		13.13	13.13	10.75	10.75	18.38	18.38	22.38	18.38	22.38	22.38
E		13.06	16.31	11.88	15.13	18.94	22.13	22.38	25.06	24.13	27.06
F		7.00	9.38	7.00	9.38	9.38	12.00	9.38	12.00	12.00	12.00
G		0.09	0.09	0.09	0.09	0.09	0.09	0.09	0.09	0.09	0.09
H		3.13	5.25	2.75	5.25	5.25	6.94	5.25	7.88	6.94	7.88
I	(NPT) QTY.	1/2-14 4	1/2-14 4	3/8-14 8	1/2-14 3	3/4-14 4	3/4-14 4	1/2-14 4	3/4-14 4	3/4-14 4	3/4-14 4
J		12.75	12.75	10.75	10.75	18.00	18.00	22.00	18.00	22.00	22.00
K		3.25	4.50	3.25	4.50	4.50	6.25	4.50	7.00	6.25	7.00
L		.75X.4375	1.00X.5625	.75X.4375	1.00X.5625	1.00X.5625	1.00X.50	1.00X.5625	1.125X.625	1.00X.50	1.125X.625
M		3.25	5.00	3.25	5.00	5.00	4.25	5.00	6.75	4.25	6.75
MA		3.38	4.50	3.38	4.50	4.50	6.00	4.50	8.00	6.00	8.00
N		-	-	10.75	10.75	-	-	-	-	-	-
O	(UNC) QTY.	3/4-10 4	7/8-09 8	3/4-10 4	7/8-09 8	7/8-9 8	1-8 8	7/8-09 8	1 3/8-6 8	1-8 8	1 3/8-6 8
P		0.88	1.38	0.88	1.38	1.38	1.50	1.38	2.00	1.50	2.00
RC		2.63	3.38	-	-	3.38	3.38	3.38	3.75	3.38	3.75
R		7.01	9.65	7.01	9.65	9.65	12.99	9.65	14.65	12.99	14.65
S		0.20	0.20	0.20	0.20	0.20	0.20	0.20	0.20	0.20	0.20
TP		4.50	6.25	4.50	6.25	6.25	8.00	6.25	9.00	8.00	9.00
T		1.25	2.00	1.25	2.00	2.00	-	2.00	-	-	-
U		4.75	5.75	4.75	5.75	5.75	-	5.75	-	-	-
V	(UNC) QTY.	1/4-20 2	1/4-20 2	1/4-20 2	1/4-20 2	1/4-20 2	- 2	1/4-20 -	- -	- -	- -
W		0.44	0.44	0.44	0.44	0.44	-	0.44	-	-	-
X		2.53	2.53	2.53	2.53	2.53	4.50	2.53	5.13	4.50	5.13
Y		-	-	10.75	10.75	-	-	-	-	-	-
Z		3.44	4.50	3.44	4.50	4.50	7.13	4.50	8.00	7.13	8.00